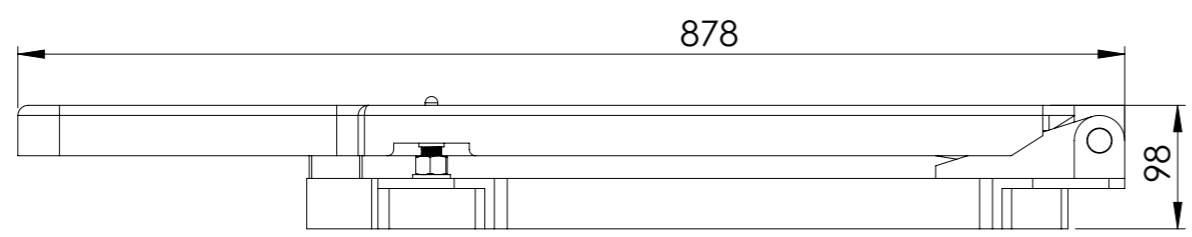
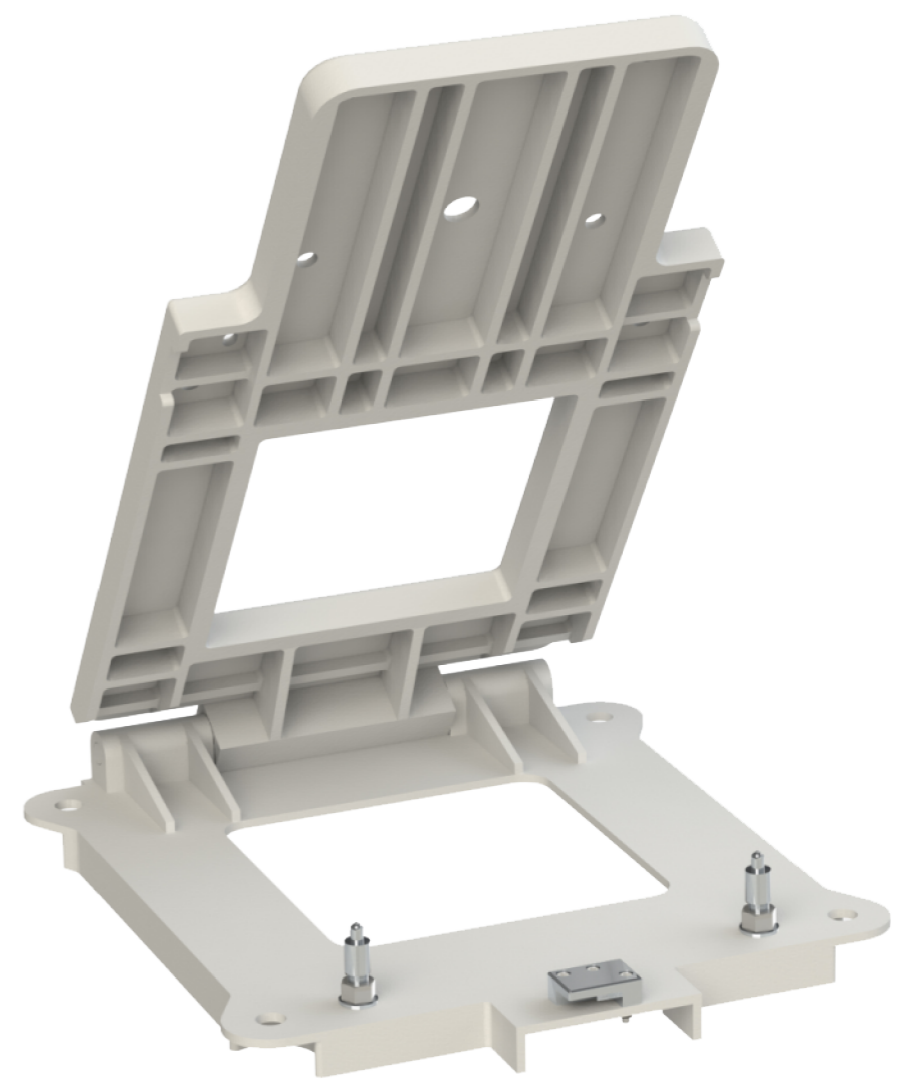


TOP VIEW




FRONT VIEW



ISOMETRIC VIEW

REV. Control		PROPRIETARY AND CONTAINED THE INFORMATION CONTAINED IN THIS DRAWING IS THE SOLE PROPERTY OF SGS WEATHER, ANY REPRODUCTION IN PART OR AS A WHOLE WITHOUT THE WRITTEN PERMISSION OF SGS FRANGIBLE TOWERS Pvt. Ltd. IS PROHIBITED.
REV.	DATE	
1	24-12-19	

UNLESS OTHERWISE SPECIFIED:		NAME	DATE
DIMENSIONS ARE IN MILLIMETERS		DRAWN	ALOK SHUKLA 24-12-19
TOLERANCES:		CHK'D	VIPIN GANDHI 24-12-19
FRACTIONAL ±		ENG APPR.	
ANGULAR: MACH ±		MFG APPR.	
TOW PLACE DECIMAL ±		Q.A	
THREE PLACE DECIMAL ±		SCALE :	1:10
INTERPRET GEOMETRIC TOLETANCING		COMMENTS:	
MATERIAL Aluminium			
FINISH: Dia Casting			
DO NOT SCALE DRAWING			



SGS Frangible Tower Pvt. Ltd.
Plot No. 36, Udyog Vihar
Phase - IV Gurugram
Haryana - 122015 INDIA

DWG NO. SGS-CUST-CH-026	
SIZE A3	DRG. NAME CENTER HINGE
WEIGHT : 24.5 K.G	SHEET 1 OF 1