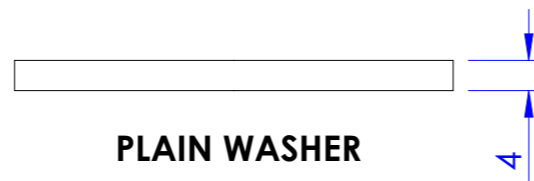
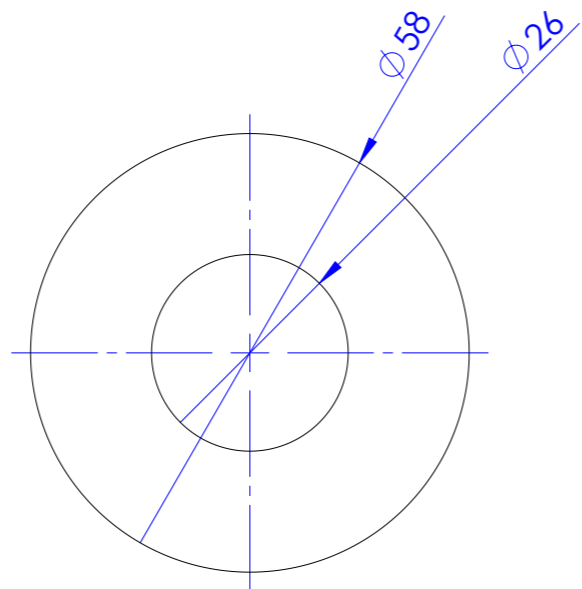
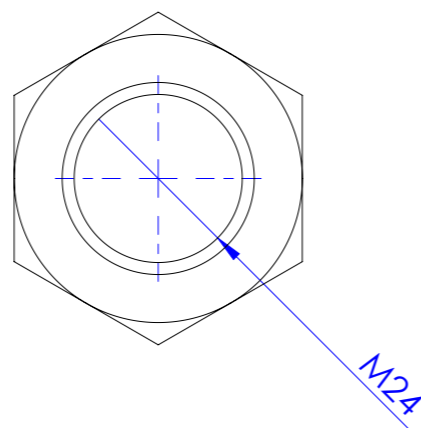


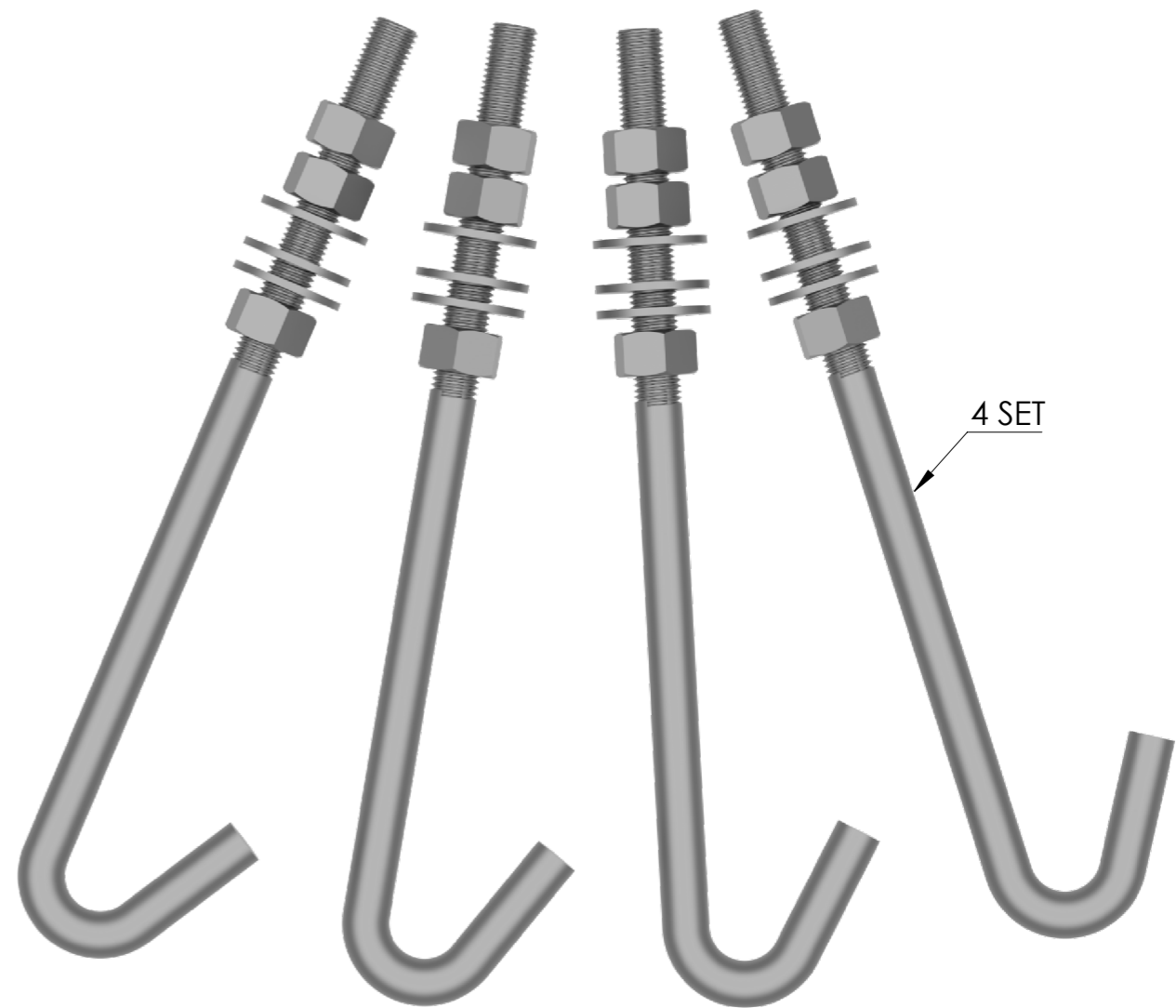
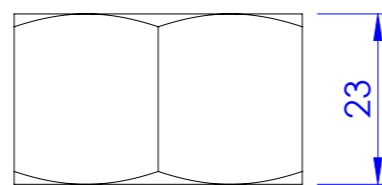
FOUNDATION BOLT



PLAIN WASHER



HEX NUT



FOUNDATION BOLT SET

REV. Control		PROPRIETARY AND CONTAINED THE INFORMATION CONTAINED IN THIS DRAWING IS THE SOLE PROPERTY OF SGS FRANGIBLE, ANY REPRODUCTION IN PART OR AS A WHOLE WITHOUT THE WRITTEN PERMISSION OF SGS FRANGIBLE TOWERS Pvt. Ltd. IS PROHIBITED.
REV.	DATE	

UNLESS OTHERWISE SPECIFIED:	NAME	DATE
DIMENSIONS ARE IN MILLIMETERS	DRAWN DEEPAK KU.	16-07-2021
TOLERANCES:	CHK'D VIPIN GANDHI	16-07-2021
FRACTIONAL ±	ENG APPR.	
ANGULAR: MACH ±	MFG APPR.	
TWO PLACE DECIMAL ±	Q.A	
THREE PLACE DECIMAL ±		
INTERPRET GEOMETRIC TOLERANCING	COMMENTS:	
MATERIAL Galvanized Steel		
FINISH		
DO NOT SCALE DRAWING		

SGS Frangible Towers Pvt. Ltd.
Plot No. 36, Udyog Vihar
Phase - IV Gurugram
Haryana - 122015 INDIA

SIZE	DRAWING NAME & NO.	REV
A3	SGS-STND-M24 FOUNDATION BOLTS (D)-V1.0	1.0
SCALE : 1:2.5	WEIGHT : K.G	SHEET 1 OF 1