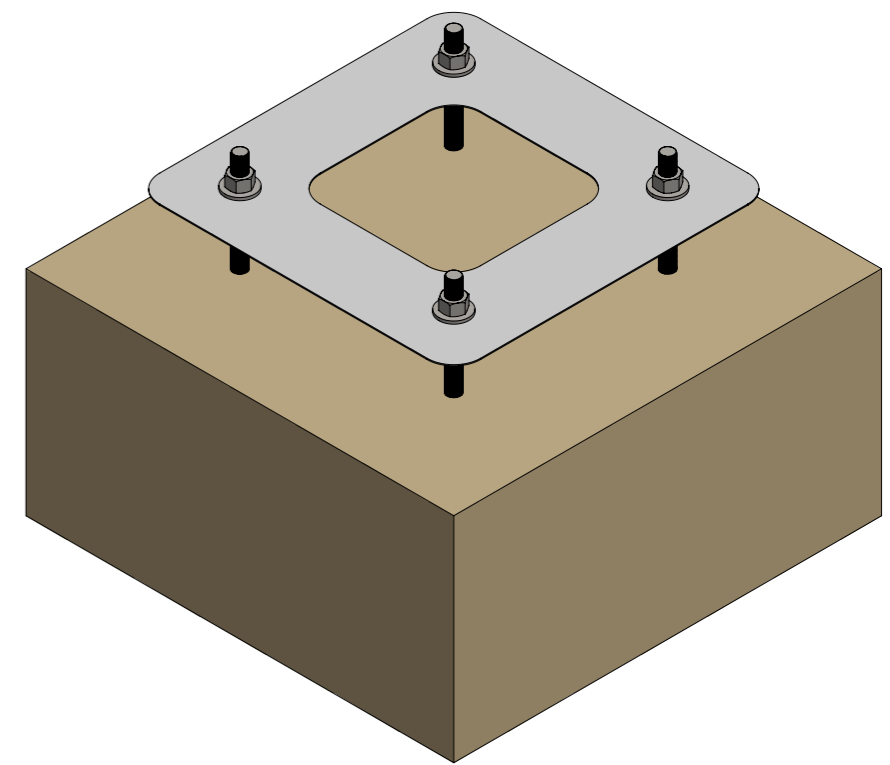
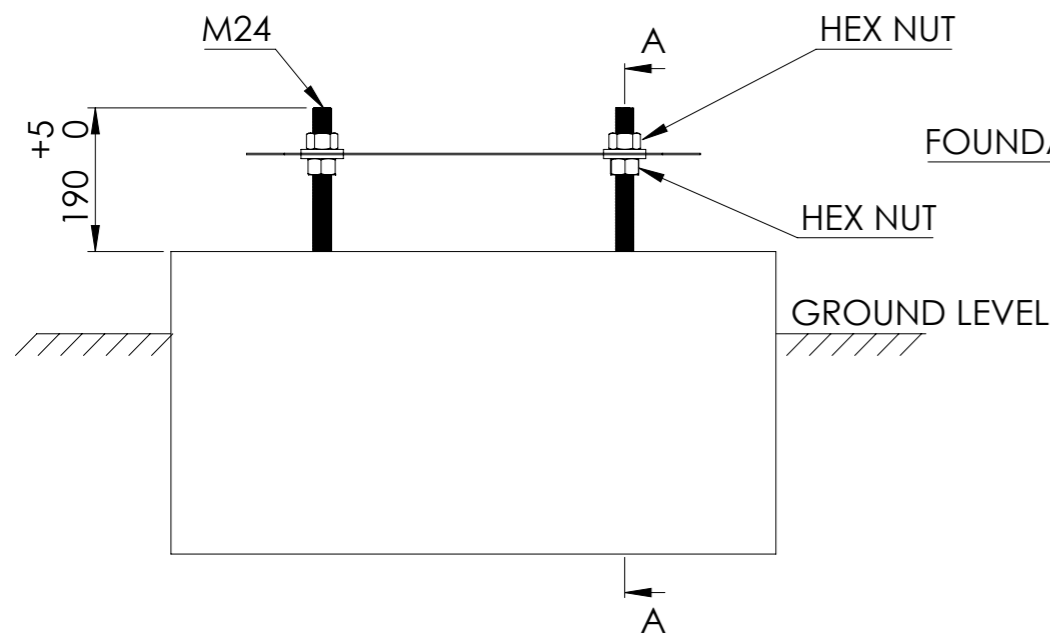


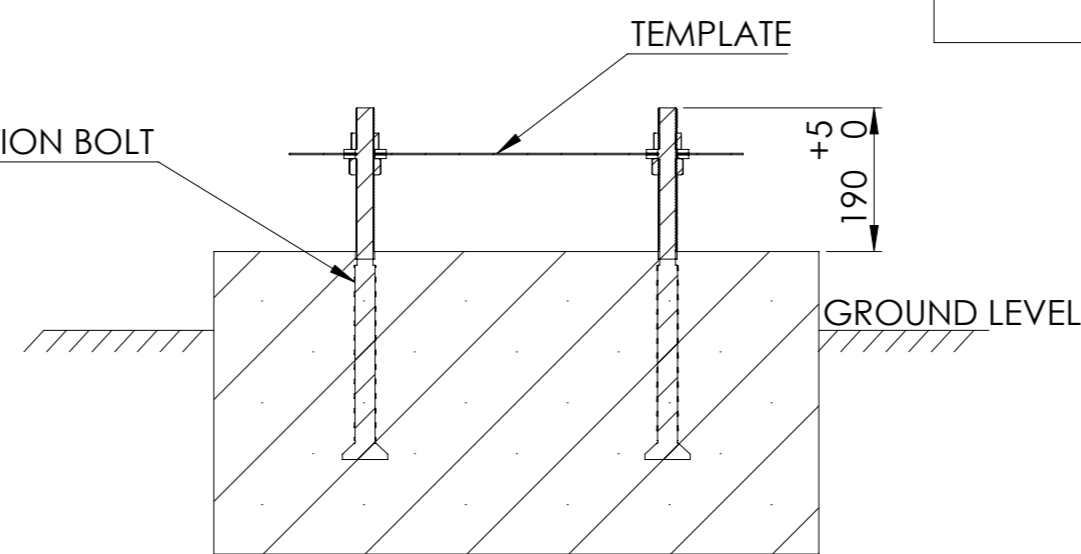
TOP VIEW



ISOMETRIC VIEW



FRONT VIEW



SECTION A-A

NOTE- CONCRETE FOUNDATION SIZE TO BE SELECTED AS PER SOIL CONDITION

REV. Control		PROPRIETARY AND CONTAINED THE INFORMATION CONTAINED IN THIS DRAWING IS THE SOLE PROPERTY OF SGS WEATHER, ANY REPRODUCTION IN PART OR AS A WHOLE WITHOUT THE WRITTEN PERMISSION OF SGS FRANGIBLE Pvt. Ltd. IS PROHIBITED.
REV.	DATE	
1	14/07/2020	

UNLESS OTHERWISE SPECIFIED:	NAME	DATE
DIMENSIONS ARE IN MILLIMETERS	DRAWN ALOK SHUKLA	14/07/2020
TOLERANCES:	CHK'D VIPIN GANDHI	14/07/2020
FRACTIONAL ±	ENG APPR.	
ANGULAR: MACH ±	MFG APPR.	
TWO PLACE DECIMAL ±	Q.A	
THREE PLACE DECIMAL ±	Client	
INTERPRET GEOMETRIC TOLERANCING	COMMENTS:	
MATERIAL	M25 Concrete Grade is recommended	
FINISH:		
DO NOT SCALE DRAWING		

SGS Frangible Tower Pvt. Ltd.
Plot No. 36, Udyog Vihar
Phase - IV Gurugram
Haryana - 122015 INDIA

DWG NO. SGS-CUST-FT-005	
SIZE A3	DRG. NAME FOUNDATION WITH TEMPLATE
SCALE: 1:10	WEIGHT: K.G
SHEET 1	OF 1