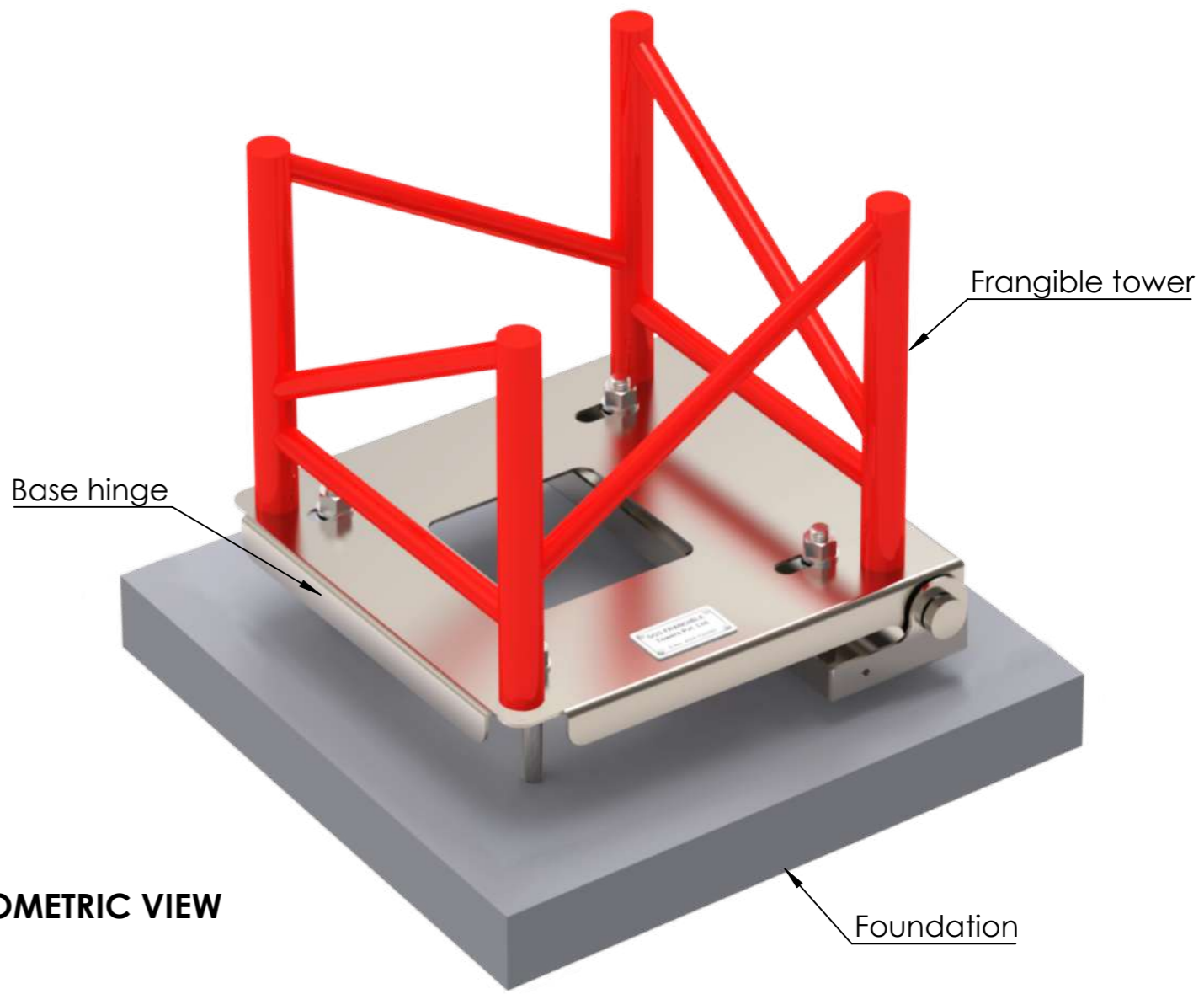
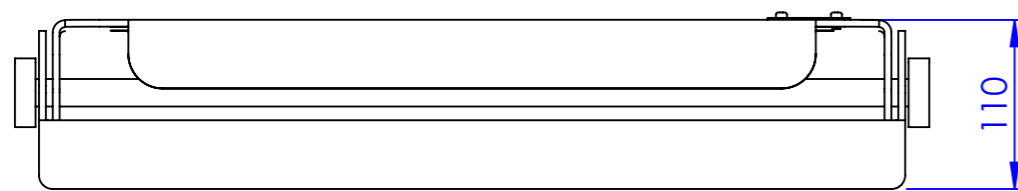


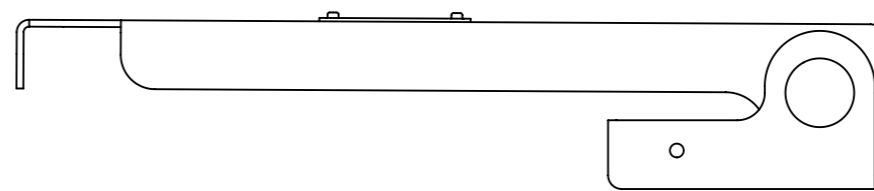
TOP VIEW



ISOMETRIC VIEW



FRONT VIEW



SIDE VIEW

REV. Control		PROPRIETARY AND CONTAINED THE INFORMATION CONTAINED IN THIS DRAWING IS THE SOLE PROPERTY OF SGS FRANGIBLE, ANY REPRODUCTION IN PART OR AS A WHOLE WITHOUT THE WRITTEN PERMISSION OF SGS FRANGIBLE TOWERS Pvt. Ltd. IS PROHIBITED.
REV.	DATE	

UNLESS OTHERWISE SPECIFIED:	NAME	DATE
DIMENSIONS ARE IN MILLIMETERS	DRAWN DEEPAK KU.	18-05-2022
TOLERANCES:	CHK'D VIPIN GANDHI	18-05-2022
FRACTIONAL ±	ENG APPR.	
ANGULAR: MACH ±	MFG APPR.	
TWO PLACE DECIMAL ±	Q.A	
THREE PLACE DECIMAL ±		
INTERPRET GEOMETRIC TOLERANCING		
MATERIAL SS-304		
FINISH		
DO NOT SCALE DRAWING		

SGS Frangible Towers Pvt. Ltd.
Plot No. 36, Udyog Vihar
Phase - IV Gurugram
Haryana - 122015 INDIA

SIZE	DRAWING NAME & NO.	REV
A3	SGS-STND-BASE HINGE-0505-V1.3	1.3
SCALE : 1:5.5	WEIGHT : 25.61 K.G	SHEET 1 OF 1