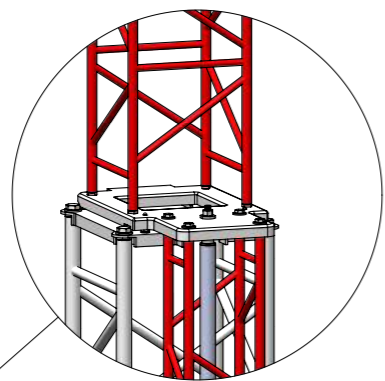
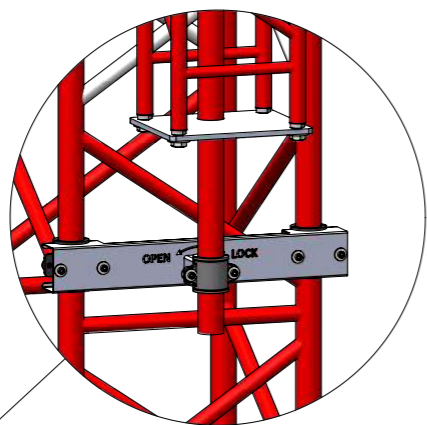


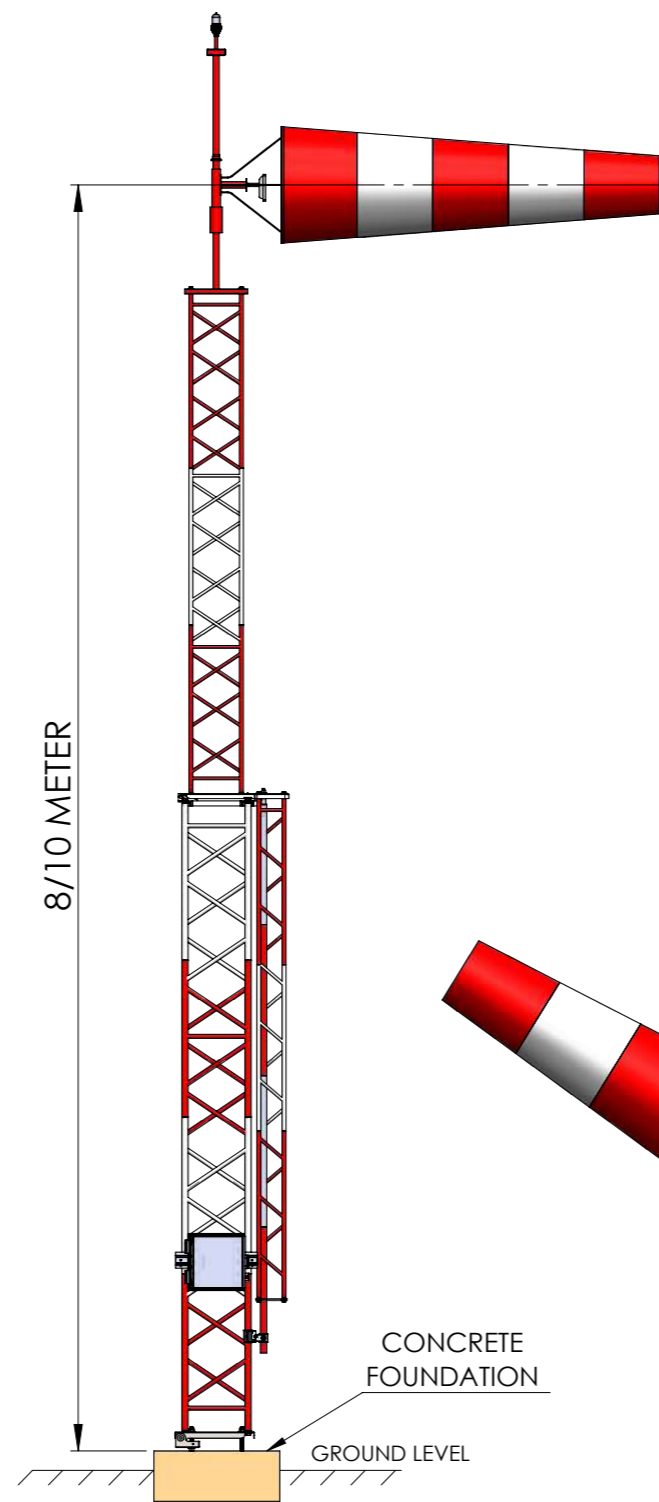
ISOMETRIC VIEW



CENTER HINGE



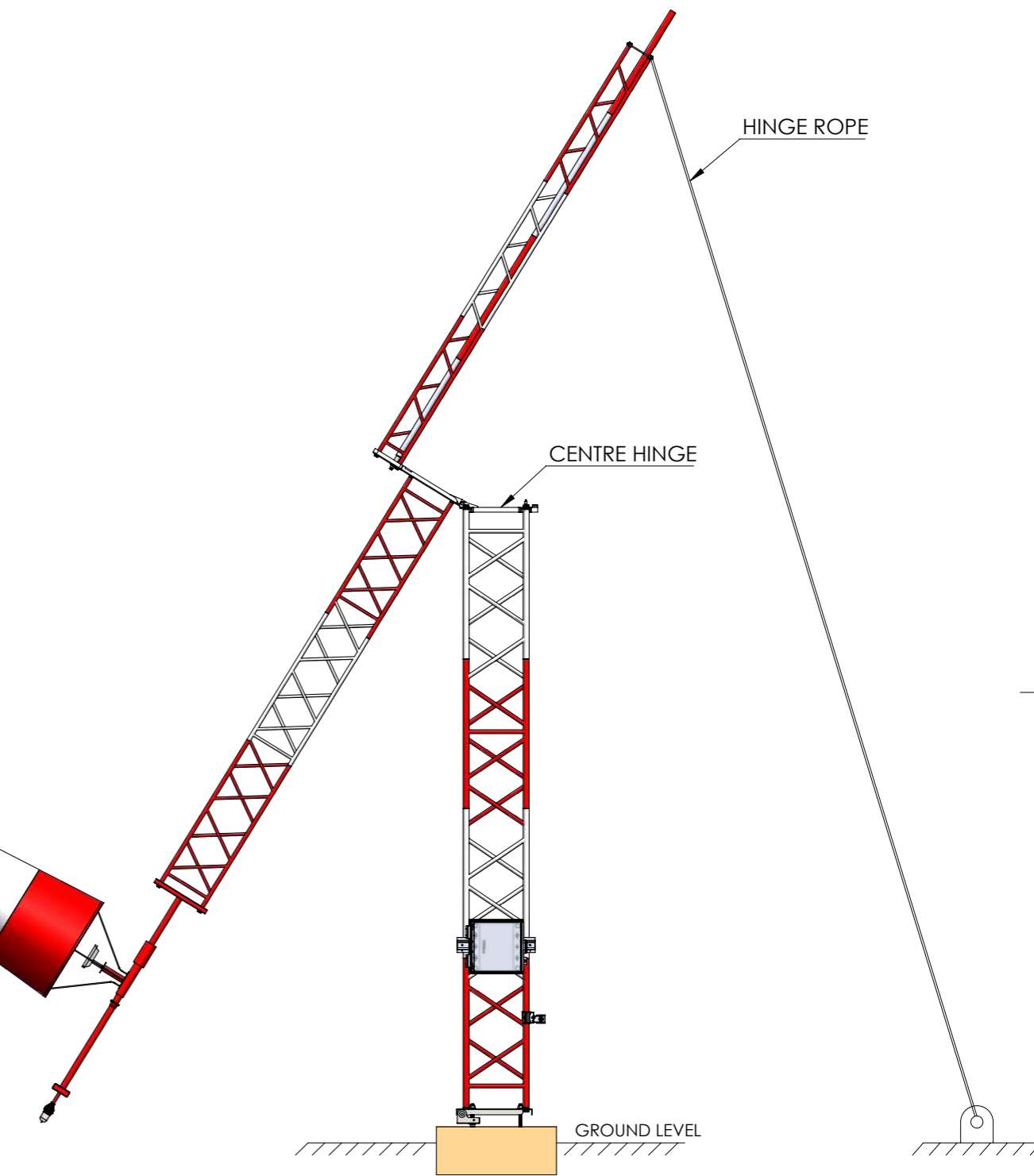
CENTER HINGE
BOTTOM LOCK



8/10 METER

CONCRETE
FOUNDATION

GROUND LEVEL



HINGE ROPE

CENTRE HINGE

GROUND LEVEL

REV.	DATE
1	13/07/2020

PROPRIETARY AND CONTAINED
THE INFORMATION CONTAINED
IN THIS DRAWING IS THE SOLE
PROPERTY OF SGS WEATHER,
ANY REPRODUCTION IN PART
OR AS A WHOLE WITHOUT THE
WRITTEN PERMISSION OF SGS
FRANGIBLE TOWER Pvt. Ltd.
IS PROHIBITED.

UNLESS OTHERWISE SPECIFIED:

DIMENSIONS ARE IN MILLIMETERS

TOLERANCES:
FRACTIONAL ±
ANGULAR: MACH ±
TOW PLACE DECIMAL ±
THREE PLACE DECIMAL ±

INTERPRET GEOMETRIC
TOLENTANCING

MATERIAL

FINISH:

DO NOT SCALE DRAWING

	NAME	DATE
DRAWN	ALOK SHUKLA	13/07/2020
CHK'D	VIPIN GANDHI	13/07/2020
ENG APPR.		
MFG APPR.		
Q.A		

SCALE : NTS

COMMENTS:



SGS Frangible Tower Pvt. Ltd.

Plot No. 36, Udyog Vihar
Phase - IV Gurugram
Haryana - 122015 INDIA

DWG NO. SGS-CUST-AT5010CH-041

SIZE	DRG. NAME	REV
A3	INTERNALLY ILLUMINATED WINDCONE ASSEMBLY	1.1

WEIGHT : K.G SHEET 1 OF 1