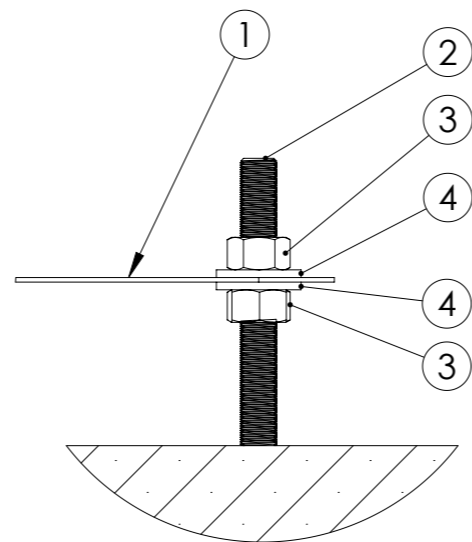
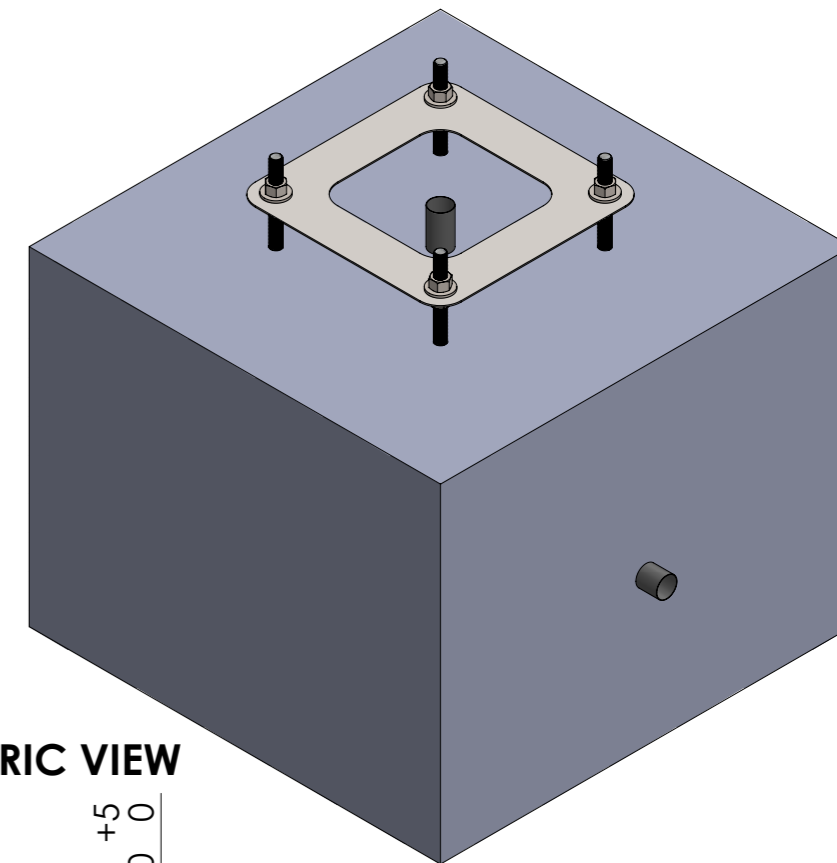


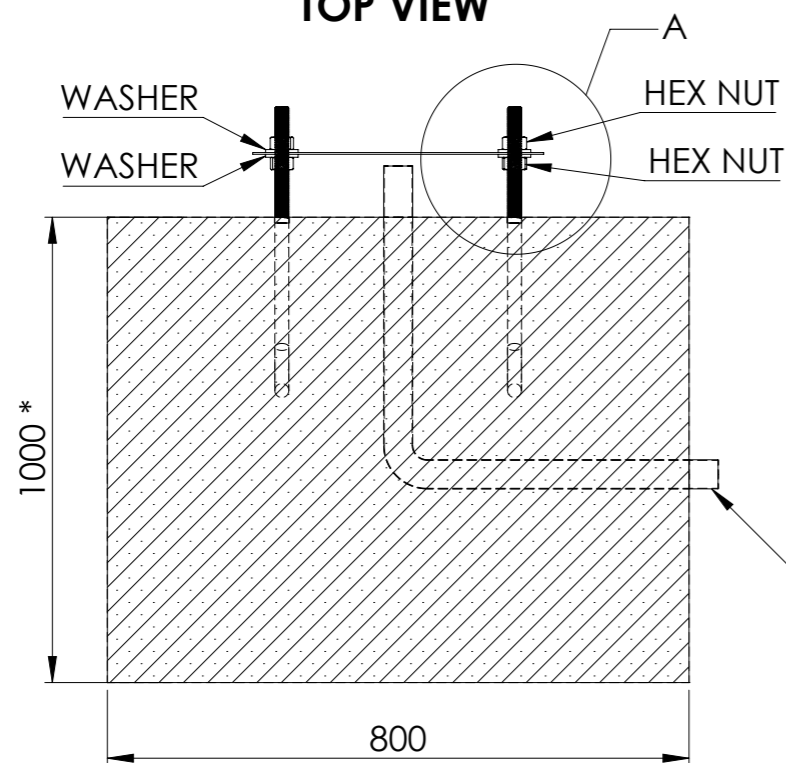
TOP VIEW



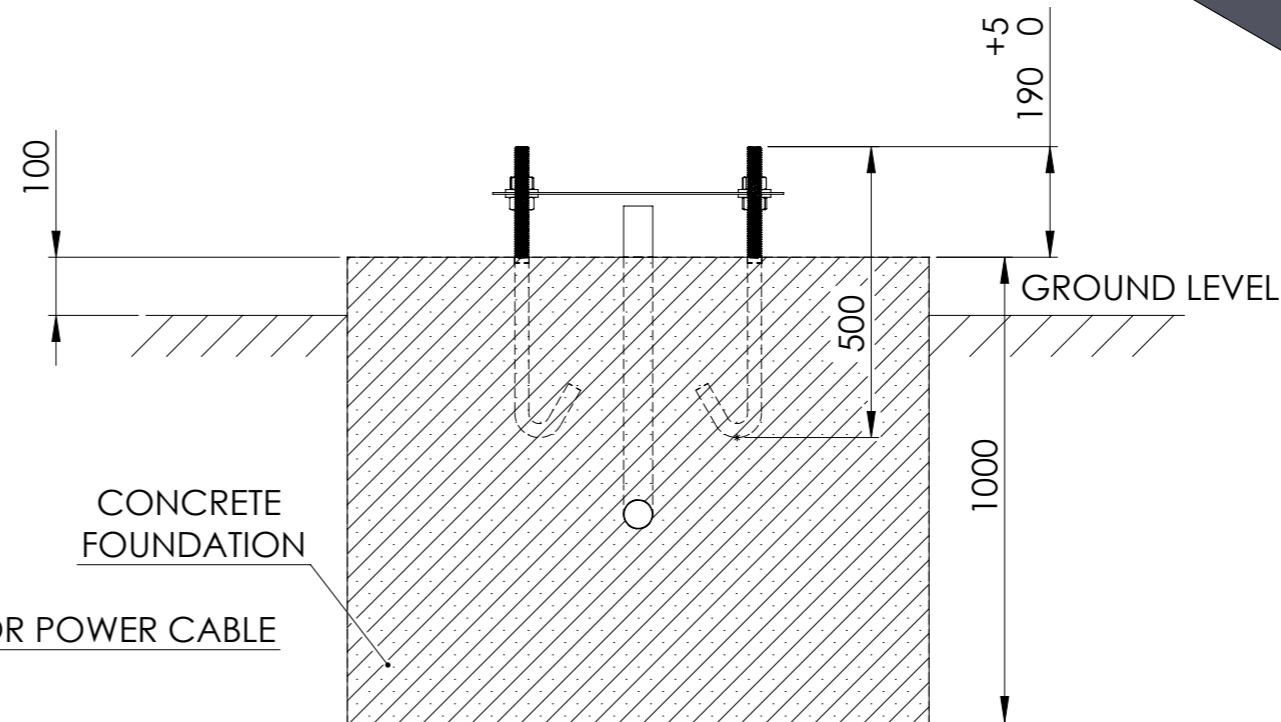
**DETAIL A
SCALE 1 : 5**



ISOMETRIC VIEW



FRONT VIEW



*TO BE DECIDED ON SITE SOIL CONDITION

ITEM NO.	PART NAME	DESCRIPTION	QTY.
1	FOUNDATION TEMPLATE	STD	1
2	FOUNDATION BOLT	M24	4
3	HEX NUT	M24	8
4	PLAIN WASHER	M24	8

REV. Control		PROPRIETARY AND CONTAINED THE INFORMATION CONTAINED IN THIS DRAWING IS THE SOLE PROPERTY OF SGS FRANGIBLE, ANY REPRODUCTION IN PART OR AS A WHOLE WITHOUT THE WRITTEN PERMISSION OF SGS FRANGIBLE TOWERS Pvt. Ltd. IS PROHIBITED.
REV.	DATE	
1.1	13-07-20	
1.2	19-10-20	
1.3	28-08-21	

UNLESS OTHERWISE SPECIFIED:		NAME	DATE
DIMENSIONS ARE IN MILLIMETERS		DRAWN	DEEPAK KU. 28/08/2021
TOLERANCES:		CHK'D	VIPIN GANDHI 28/08/2021
FRACTIONAL ±		ENG APPR.	
ANGULAR: MACH ±		MFG APPR.	
TWO PLACE DECIMAL ±		Q.A	
THREE PLACE DECIMAL ±			
INTERPRET GEOMETRIC TOLERANCING		COMMENTS:	
MATERIAL			
FINISH			
DO NOT SCALE DRAWING			



SGS Frangible Towers Pvt. Ltd.
Plot No. 36, Udyog Vihar
Phase - IV Gurugram
Haryana - 122015 INDIA

SIZE	DRAWING NAME & NO.	REV
A3	SGS-STND-LATTICE FOUNDATION WITH J TYP BOLT-500-V1.3(2)	1.3

SCALE : 1:13 WEIGHT : K.G SHEET 1 OF 1