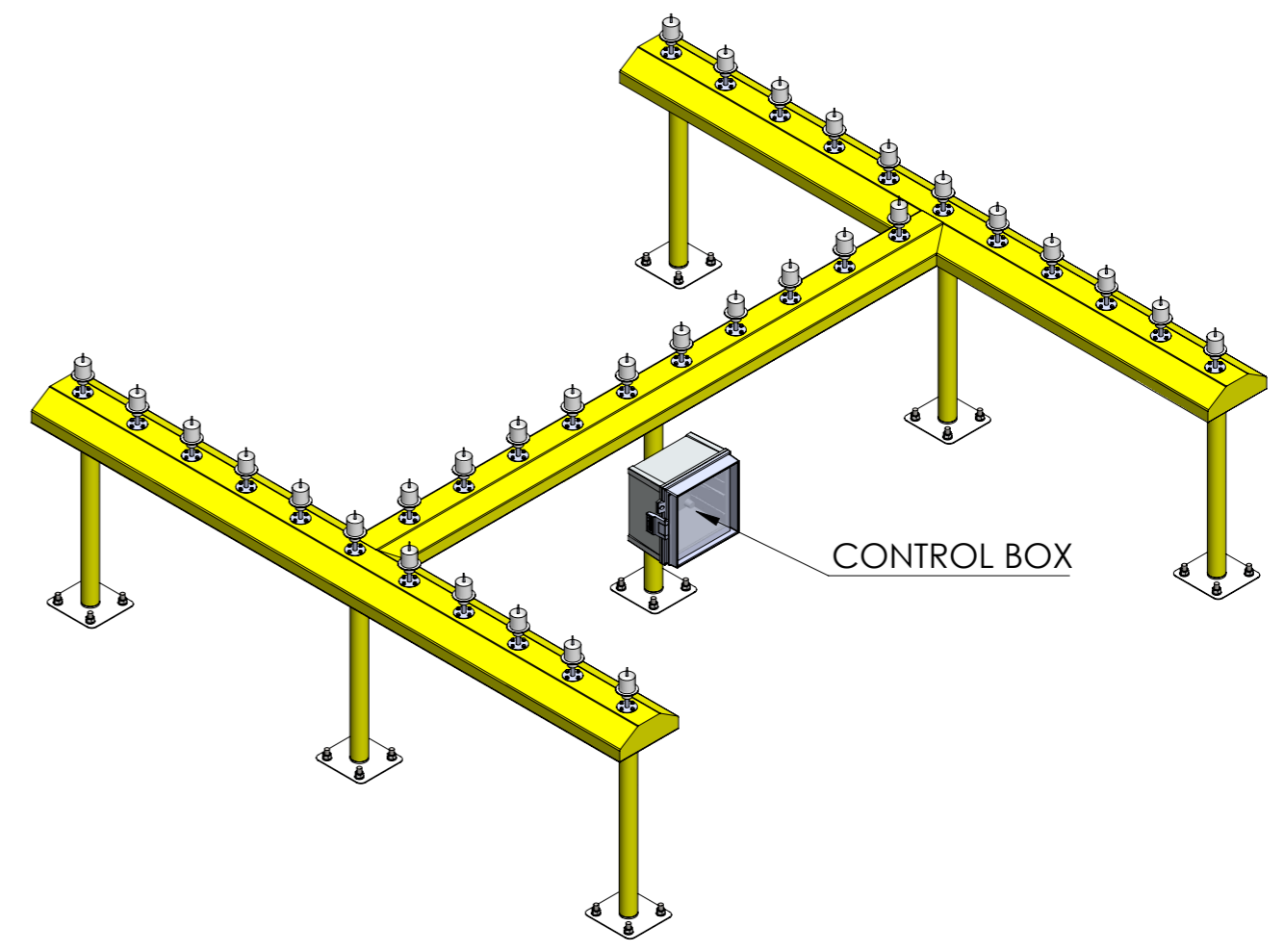
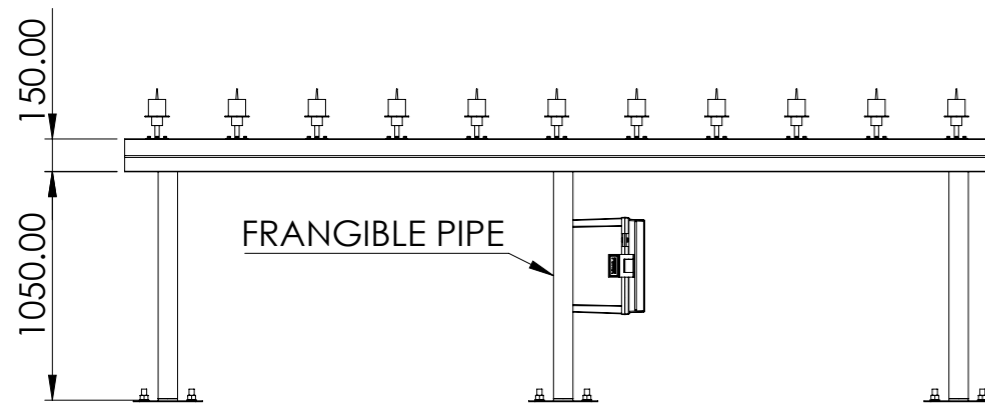


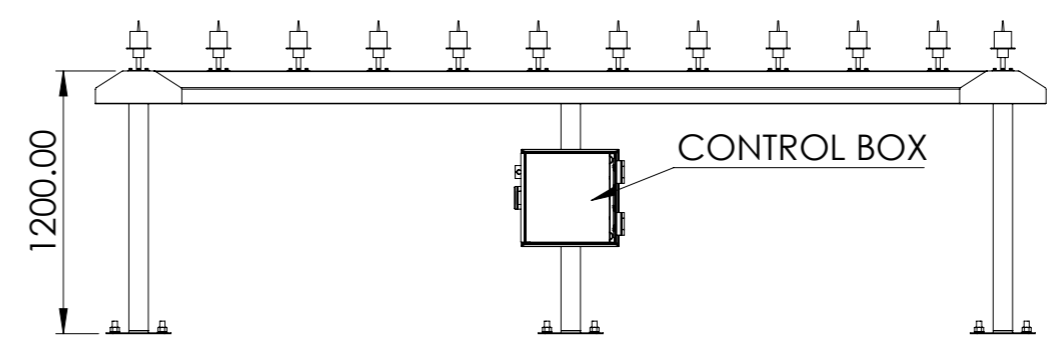
TOP VIEW



ISOMETRIC VIEW



FRONT VIEW



SIDE VIEW

REV. Control		PROPRIETARY AND CONTAINED THE INFORMATION CONTAINED IN THIS DRAWING IS THE SOLE PROPERTY OF SGS WEATHER, ANY REPRODUCTION IN PART OR AS A WHOLE WITHOUT THE WRITTEN PERMISSION OF SGS FRANGIBLE TOWER Pvt. Ltd. IS PROHIBITED.
REV.	DATE	
1.1	17/06/2020	

UNLESS OTHERWISE SPECIFIED:		NAME	DATE
DIMENSIONS ARE IN MILLIMETERS		DRAWN	ALOK SHUKLA 25/05/2020
TOLERANCES:		CHK'D	VIPIN GANDHI 25/05/2020
FRACTIONAL ±		ENG APPR.	
ANGULAR: MACH ±		MFG APPR.	
TOW PLACE DECIMAL ±		Q.A	
THREE PLACE DECIMAL ±			
INTERPRET GEOMETRIC TOLERANCING		SCALE :	NTS
MATERIAL		COMMENTS:	
FINISH:			
DO NOT SCALE DRAWING			

SGS Frangible Tower Pvt. Ltd.
Plot No. 36, Udyog Vihar
Phase - IV Gurugram
Haryana - 122015 INDIA

DWG NO. SGS-CUST-LIH-043	
SIZE A3	DRG. NAME LANDING DIRECTION INDICATOR -H
WEIGHT : K.G	REV 1.1 SHEET 1 OF 1