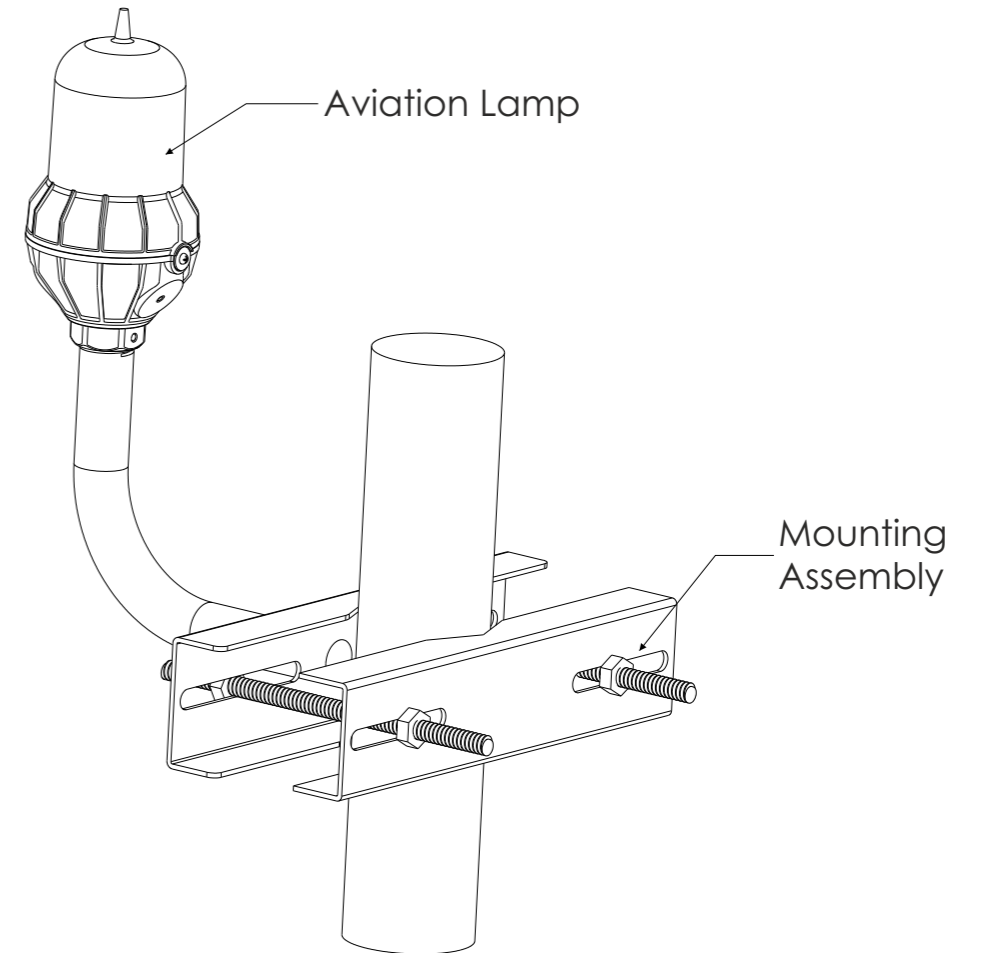
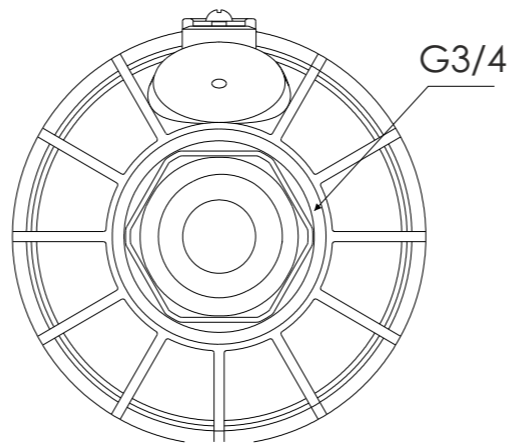
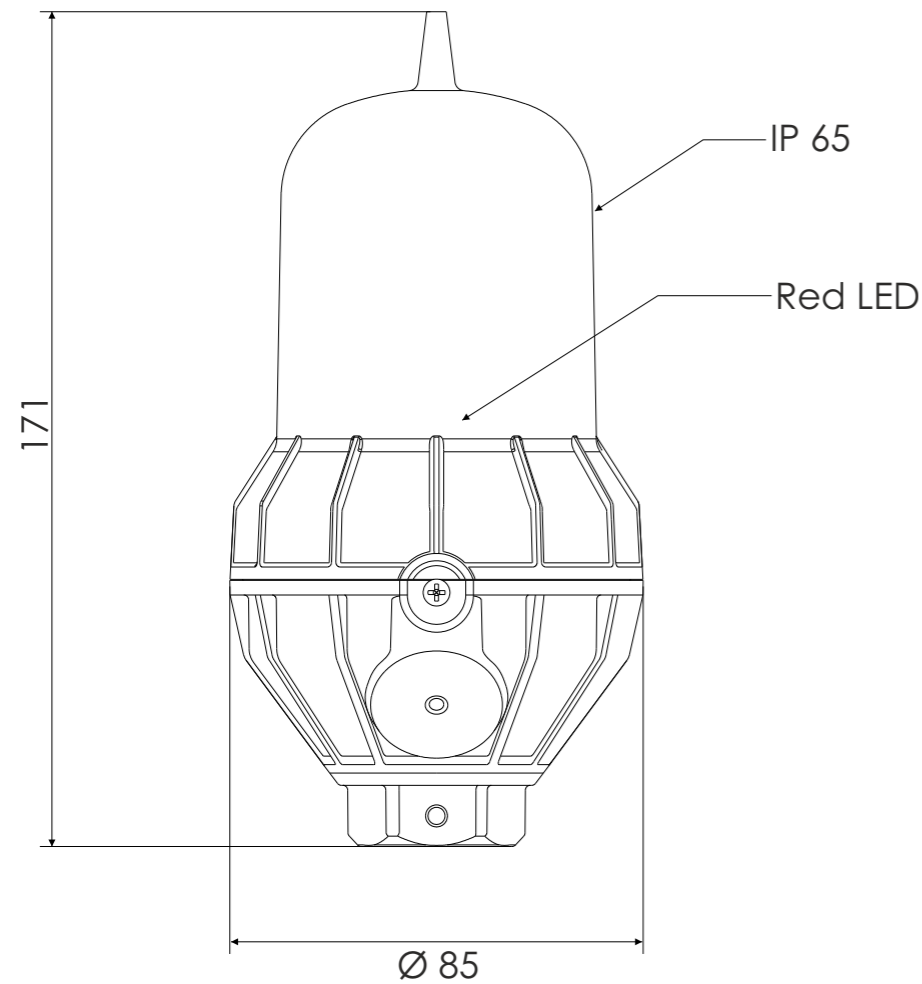



# Aviation Lamp (Single) Assembly



REV. Control		PROPRIETARY AND CONTAINED THE INFORMATION CONTAINED IN THIS DRAWING IS THE SOLE PROPERTY OF SGS FRANGIBLE, ANY REPRODUCTION IN PART OR AS A WHOLE WITHOUT THE WRITTEN PERMISSION OF SGS FRANGIBLE TOWERS Pvt. Ltd. IS PROHIBITED.
REV.	DATE	
1	05/02/2020	
1.1	11/08/2021	

UNLESS OTHERWISE SPECIFIED:		NAME	DATE	 <b>SGS Frangible Towers Pvt. Ltd.</b> Plot No. 36, Udyog Vihar Phase - IV Gurugram Haryana - 122015 INDIA	
<b>DIMENSIONS ARE IN MILLIMETERS</b>		DRAWN	BALJINDER		11/08/2021
TOLERANCES:		CHK'D	V. GANDHI		11/08/2021
FRACTIONAL ±		ENG APPR.			
ANGULAR: MACH ±		MFG APPR.			
TWO PLACE DECIMAL ±		Q.A			
THREE PLACE DECIMAL ±		COMMENTS:		SIZE	
INTERPRET GEOMETRIC TOLERANCING				<b>A3</b>	
MATERIAL				<b>SGS-STND-OBSTRUCTION LIGHT SINGLE LAMP-V1.1</b>	
FINISH				<b>1.1</b>	
DO NOT SCALE DRAWING		SCALE :		WEIGHT :	
				SHEET: 1 OF 1	